



INOCON GmbH
Industriestraße 31
53359 Rheinbach
Germany

Phone +49 2226-90987-0
E-Mail verkauf@inocon.de
Fax +49 2226-90987-99

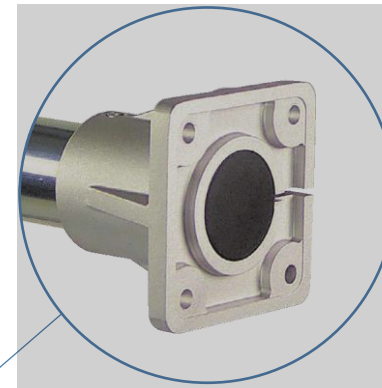
inocon.de

Positioning systems for multi-axis adjustments

Innovative construction elements inocon.de

Two-axis adjustment in X and Y direction

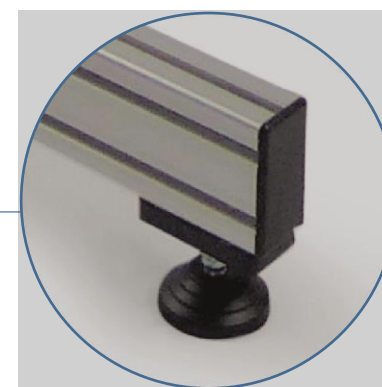
with a horizontal and vertical linear unit with an additional base clamp



With the horizontal linear unit the customer can choose between different mounting options.



The feather key also serves as an anti-rotation device.



The base made of profiles ensures a safe and presentable stand. The linear units can be designed for a wide variety of applications and loads.



Vertical and horizontal linear unit e.g. with a diameter of 60 mm, with reinforced cross clamp connector and additional feather key.



Thanks to the reinforced cross clamp connector the linear units are connected to each other and can still higher forces and moments take up.

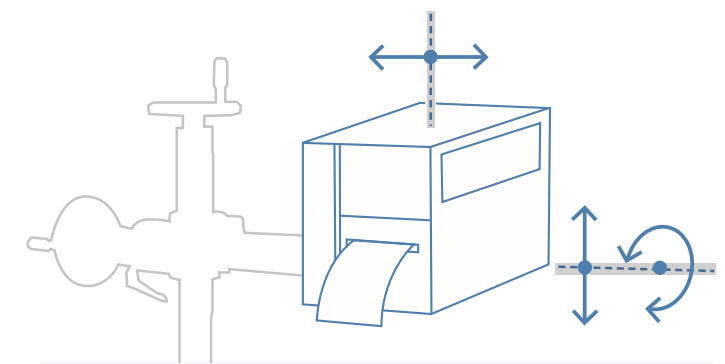


Load (maximum)

65 kg

Length

300 – 1600 mm



Application example

For example, many of our customers attach their label printers to our horizontal linear unit in order to adjust it in height or at an angle.



Your contact person

Mr Thomas Degen
Phone +49 2226-90987-13
degen@inocon.de

As a manufacturer INOCON is a specialist in multi-axis positioning systems!