

---

# Profile Linear Units

# Profile Linear Units

Linear units have been a fixed part of the product selection for many years. A diverse range of designs plus various drive and kinematics options support countless different applications.

To cover an even wider range of scenarios, the selection has now been expanded with profile linear units. This new category is particularly suited for the automation of packaging systems. They also offer features that are extremely advantageous in many industrial applications.

The new profile linear units are based on precise and especially stable aluminum profiles that can be individually machined. For profile diameter 50, three different guide element drive concepts are available: spindle, synchronous belt or rack-and-pinion. Profile diameter 30 is available with a spindle drive.

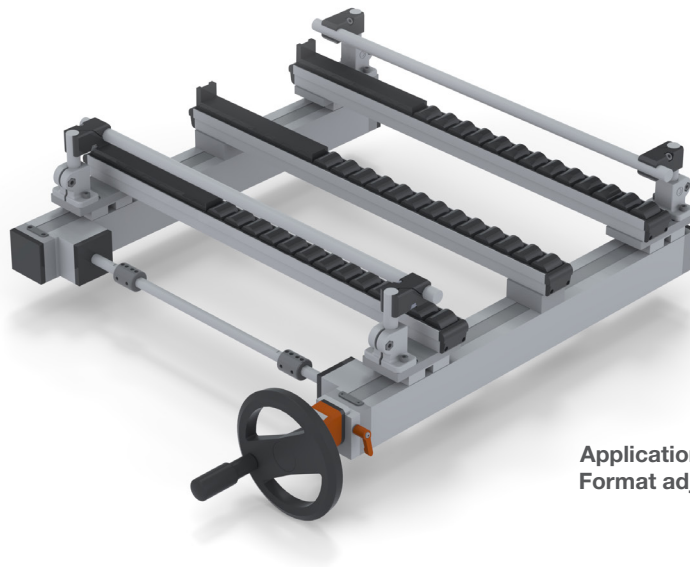
Depending on the chosen drive concept, additional guide element options are available with respect to the length, clamping capability and the quantity per linear unit.

In addition, the guide element's direction of movement can also be defined. For example, this allows two guide elements to move in the same direction, in opposite directions or independently of each other.

In the future, the majority of options listed will be available as standard for ordering via catalog data sheet or online configurator. Many applications can only be optimally implemented with a smart combination of two or more linear units. In such cases, complete solutions for complex movement tasks are available on request.

The information provided below represents an example selection of the options and possibilities.

We would be happy to advise you on specific solutions – contact us today!



Application example  
Format adjustment

## Product properties

- + Aluminum guide profile, anodized, □30 / □50 mm, thick-walled, length max. 6,000 mm
- + Three drive concepts: Spindle / synchronous belt / rack-and-pinion
- + Aluminum guide elements, with friction bearing
- + Guide element clamping with wedge profile
- + Profile cover, with positive connection, polyurethane FDA-compliant
- + Positioning precision  $\pm 0.2$  mm
- + Aluminum attachments, anodized
- + Plastic attachments, polyamide, black

## Profile Linear Units / Product Overview

<b>Sizes</b>	Profile 30  	Profile 50  		
<b>Drives</b>	Spindle drive  	Synchronous belt drive  	Rack-and-pinion drive  	
<b>Guide element length</b>	Standard  	Extended  		
<b>Guide element kinematics</b>	With one guide element  	With two opposing guide elements  	With two independent guide elements  	
<b>Accessories</b>	Hand wheels VZH  	Mechanical position indicators VZPM  		

## Innovative assembly components



**INOCON GmbH**  
Industriestraße 31  
53359 Rheinbach  
Germany

**Tel.** +49 2226-90987-0  
**Fax** +49 2226-90987-99  
verkauf@inocon.de

**inocon.de**